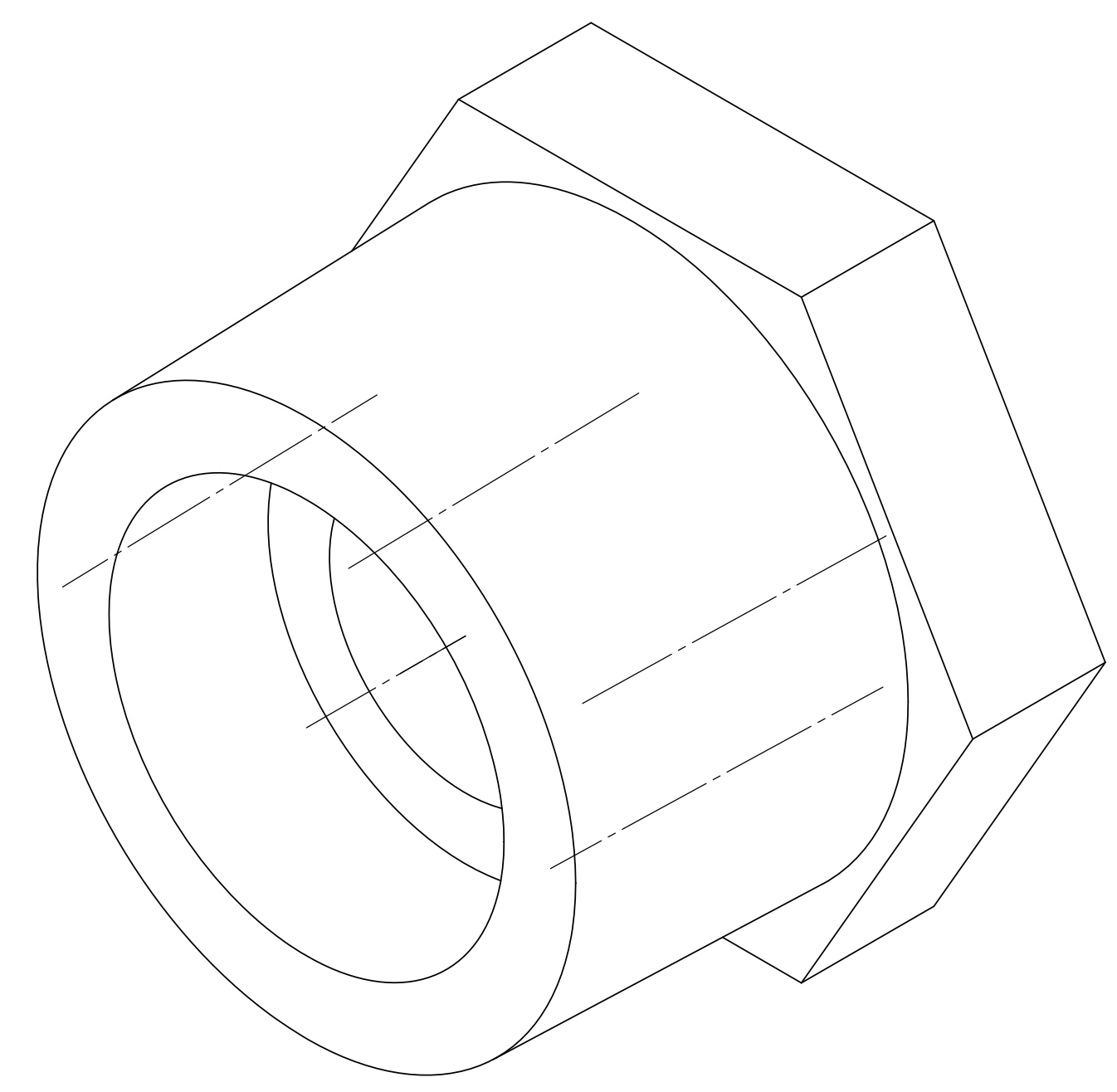
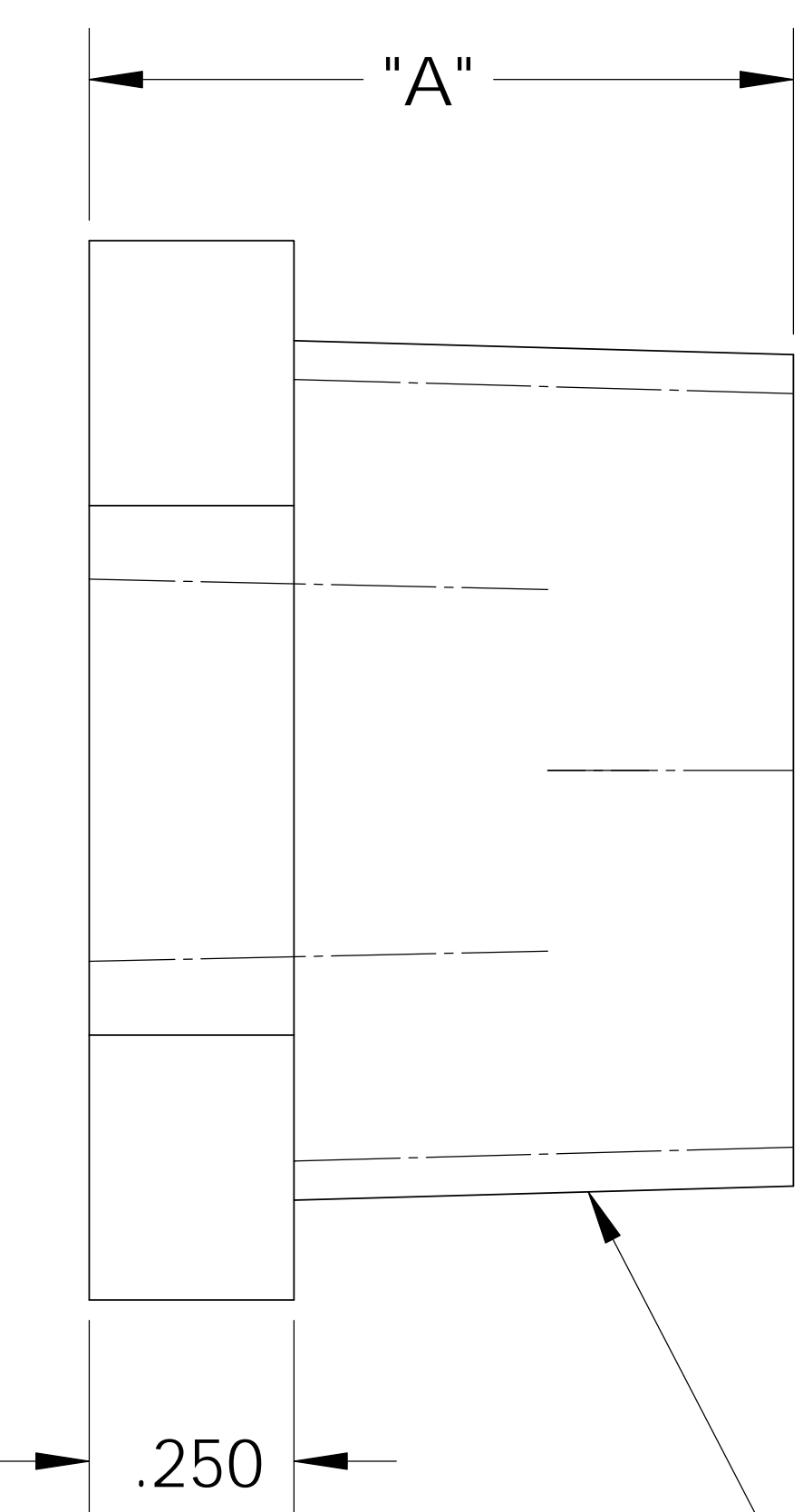


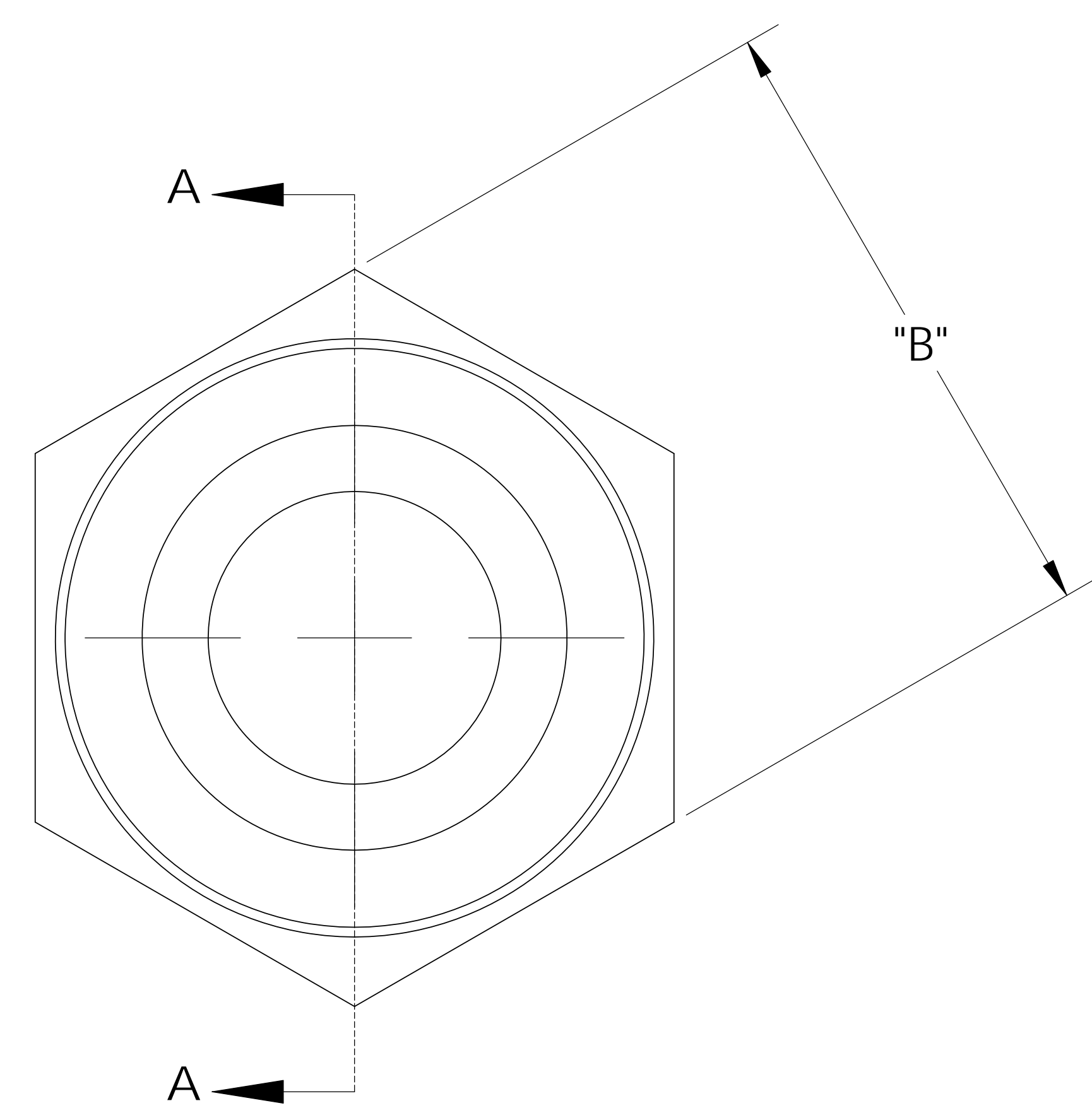
8 7 6 5 4 3 2 1



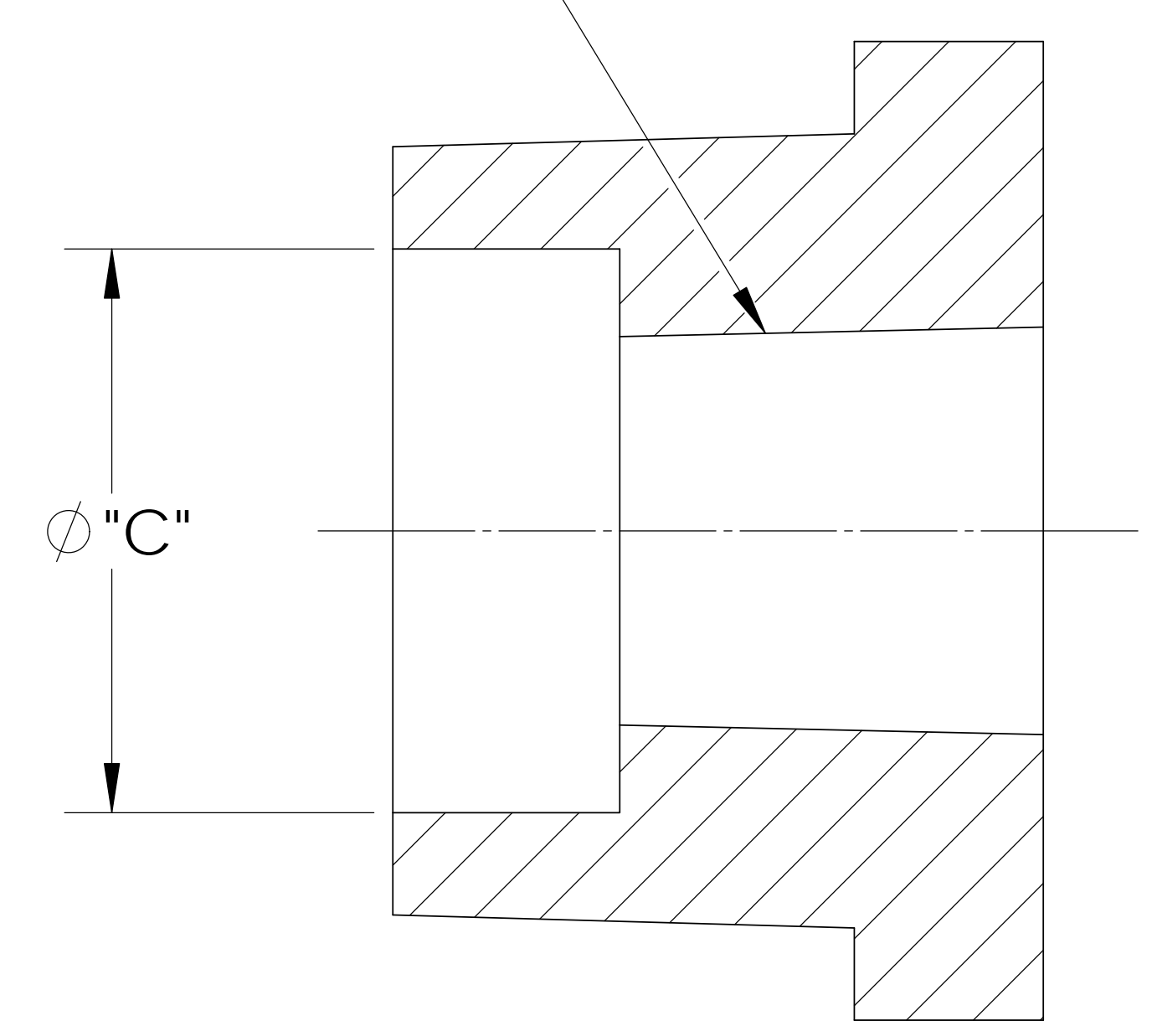
D
C
B
A



MALE 3/4"-14 NPT



FEMALE 1/4"-18 NPT



SECTION A-A

NOTES:
1) POLYPROPYLENE HAS COLOR OPTIONS:
BLACK = TRB3414/PPB
NATURAL = TRB3414/PPN

PROPRIETARY AND CONFIDENTIAL
THE INFORMATION CONTAINED IN THIS DRAWING IS THE SOLE PROPERTY OF THOGUS PRODUCTS COMPANY. ANY REPRODUCTION IN PART OR AS A WHOLE WITHOUT THE WRITTEN PERMISSION OF THOGUS PRODUCTS COMPANY IS PROHIBITED.

CATALOG NO.	DESCRIPTION	MATERIAL	DIM "A"	DIM "B"	DIM "C"
TRB3414/PP	3/4" NPT X 1/4" NPT PP	POLYPROPYLENE	.845	1.11	.735
TRB3414/N	3/4" NPT X 1/4" NPT N	NYLON	.860	1.12	.745

SHOWN

REV	WRO#	DESCRIPTION
C	95.00156	CONVERTED TO 3D FORMAT
HISTORY		

UNLESS OTHERWISE SPECIFIED:
DIMENSIONS ARE IN INCHES
TOLERANCES:
ANGULAR: ±0.5°
X.X = ± 0.1
X.XX = ± 0.05
X.XXX = ± 0.015
REMOVE ALL SHARP EDGES AND BURRS
BLEND ALL RADII TO 0.01IN
INTERPRET GEOMETRIC TOLERANCING PER: ANSI Y 14.5 1994
MATERIAL: PP, N
FINISH: NA
THIRD ANGLE PROJECTION:

	NAME	DATE
DRAWN	JRM	05/31/11
CHECKED	KDJ	05/31/11
ENG APPR.		XX/XX/XX
MFG APPR.		XX/XX/XX
Q.A.		XX/XX/XX

Thogus You think it, we can make it.
33490 PIN OAK, AVON LAKE, OH 44012

TITLE:
3/4" NPT MALE X 1/4" NPT" FEMALE REDUCER BUSHING

SIZE B	DWG. NO. TRB3414	REV C
------------------	----------------------------	-----------------

DO NOT SCALE DRAWING SCALE: 2:1 MASS: SHEET 1 OF 1

8 7 6 5 4 3 2 1